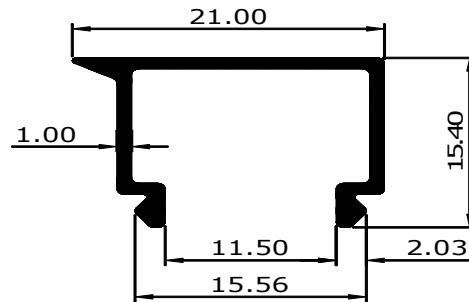
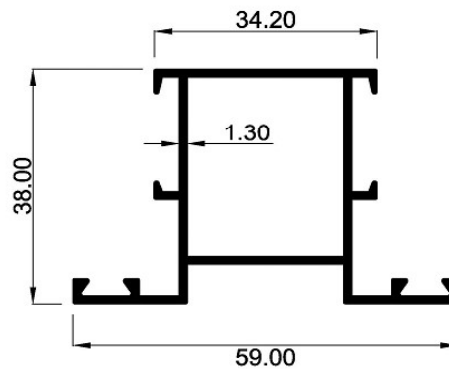


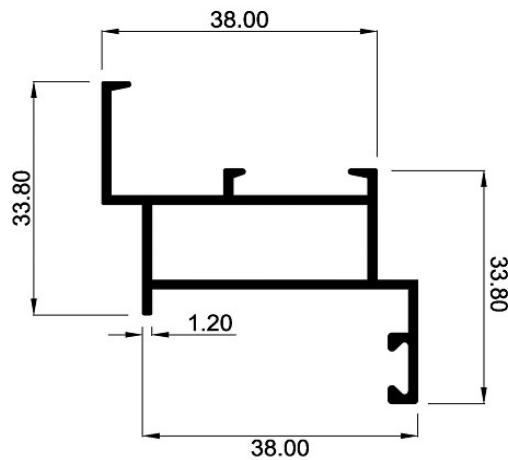
Section No. 2300 -
Wt/Mtr : 0.157 Kg
Wt Range: 0.500-0.600 Kg/12ft



Section No. 2301 -
Wt/Mtr : 0.693 Kg
Wt Range: 2.300-2.750 Kg/12ft



Section No. 2302 -
Wt/Mtr : 0.553 Kg
Wt Range: 1.900-2.200 Kg/12ft



ALL DIMENSIONS ARE IN MM