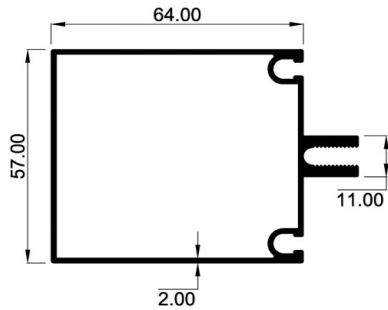


Section No	A	B	C	Wt/Mtr (Kg)	Wt Range/12 ft (Kg)
3407 ▪	50.80	50.80	1.25	0.792	2.800-3.000
3400 ▪	64.00	58.00	1.35	1.048	3.500-4.000
3401 ▪	64.00	58.00	1.50	1.130	4.100-4.800
3402 ▪	64.00	58.00	2.00	1.304	4.800-5.400

Section No. 3403 ▪

Wt/Mtr : 1.224 Kg

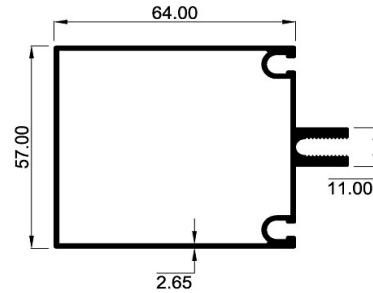
Wt Range: 4.300-4.750 Kg/12ft



Section No. 3404 ▪

Wt/Mtr : 1.620 Kg

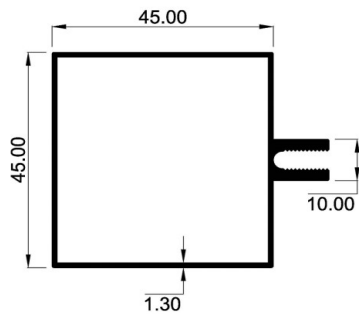
Wt Range: 5.600-6.300 Kg/12ft



Section No. 3405

Wt/Mtr : 0.726 Kg

Wt Range: 2.600-2.800 Kg/12ft



Section No. 3406

Wt/Mtr : 2.183 Kg

Wt Range: 7.600-8.500 Kg/12ft

