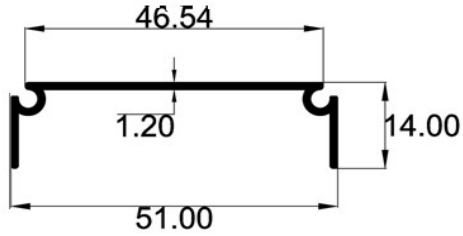
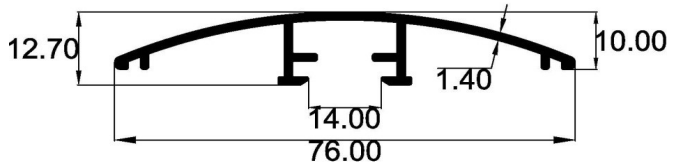


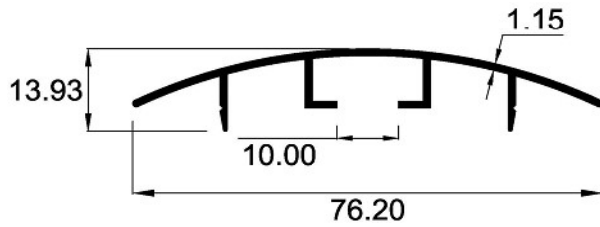
Section No. 3700
Wt/Mtr : 0.290 Kg



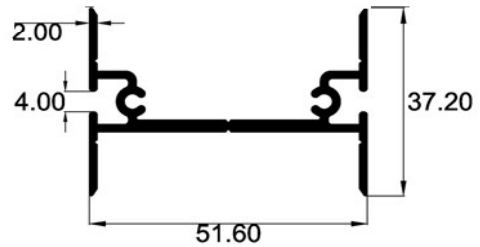
Section No. 3701
Wt/Mtr : 0.462 Kg



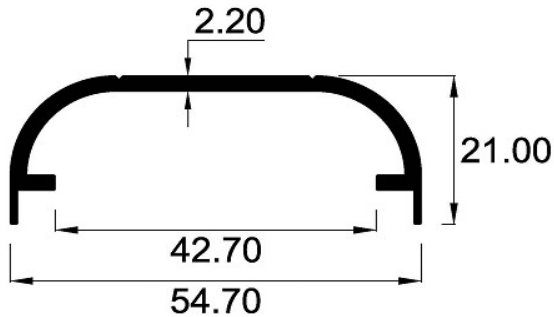
Section No. 3702
Wt/Mtr : 0.375 Kg



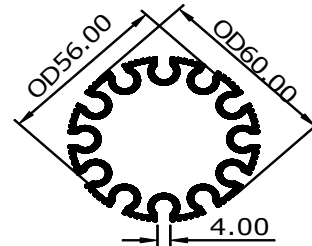
Section No. 3703
Wt/Mtr : 0.989 Kg



Section No. 3704
Wt/Mtr : 0.502 Kg



Section No. 3705
Wt/Mtr : 1.946 Kg



ALL DIMENSIONS ARE IN MM